

Instructions

Instructions for handling with
Technoform wooden crates

Insulating profiles
for windows, doors,
and facades.

Instructions

Instructions for handling Technoform wooden crates

Possible risks:



- In the case of improper handling of the wooden crates or improper use, there is a risk of harm to life or limb of the user or other party or damage to the property of the operator. For damages that arise from this the manufacturer/supplier bears no responsibility. The risk is entirely with the operator.

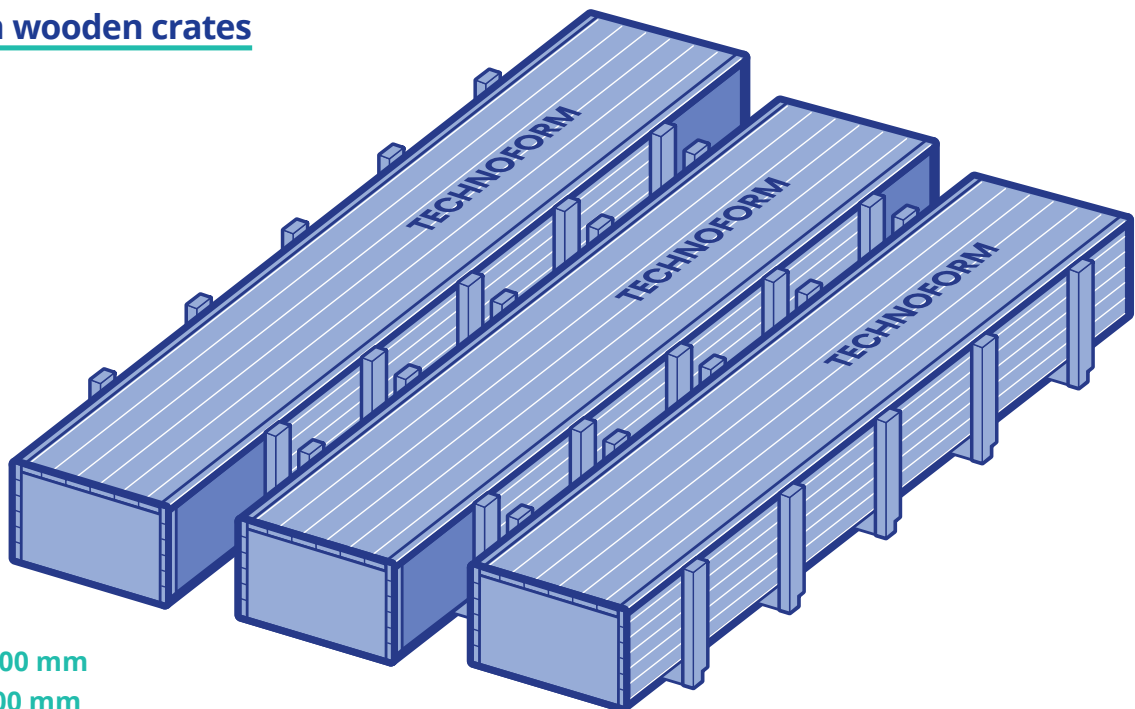


- The individual company is recommended to compile its own instructions for its employees using these instructions for handling and make them known to its insured persons.



- For this reason every person assigned to handle wooden crates in the company of the operator must have read and understood these instructions.
- In the construction of stacks, vertical and horizontal, there are dangers from stacks where the crates do not lie cleanly on each other and when damaged crates are used.
- When being transported by forklift truck on the company premises dangers can arise from trucks travelling at excessive speed, especially in the area of workplaces and bends and at places where visibility is restricted.
- Other cause of accidents include badly mounted loads, overloaded trucks or cranes. restricted visibility and constricted routes.

Technoform wooden crates



L = 7000 mm

L = 7300 mm

L = 6800 mm

L = 6300 mm

Special provisions for Technoform wooden crates:

A General

Own weight

Holzkastenmaße in m	ca. Gewicht in kg
6,30 x 0,74 x 0,80	358
6,80 x 0,74 x 0,80	384
7,00 x 0,74 x 0,80	394
7,30 x 0,74 x 0,80	404

Permissible load

The permissible and maximum load of wooden crates amounts to 1,500 kg (1.5 to) net weight.

Permissible extra load

The extra load is the weight of all units stacked on the lowest units. The permissible extra load of a wooden crate amounts to 3,000 kg (3.0 to) net weight.

Permissible stack height

The permissible and maximum stack height of full wooden crates amounts to 3 units

The permissible and maximum stack height of empty wooden crates amounts to 5 units

Stapelfähigkeit

The wooden crates are designed to allow form-fit stacking.

Identification marking

The wooden crates are marked in such a way the the following data are visible on the label:

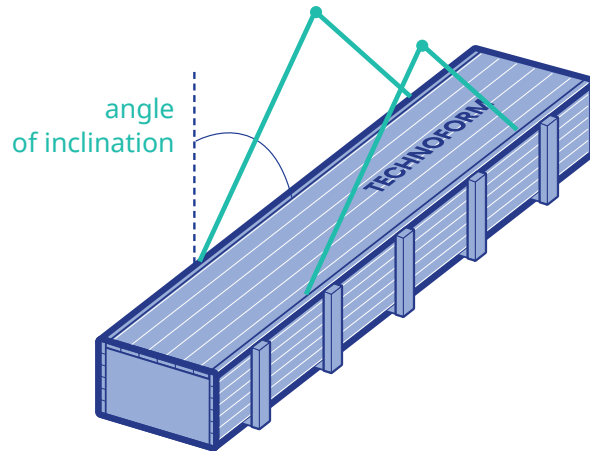
Technoform Logo – Crate no. or IPPC marking - permissible load - permissible stack height

Special provisions for wooden crates:

B Operation

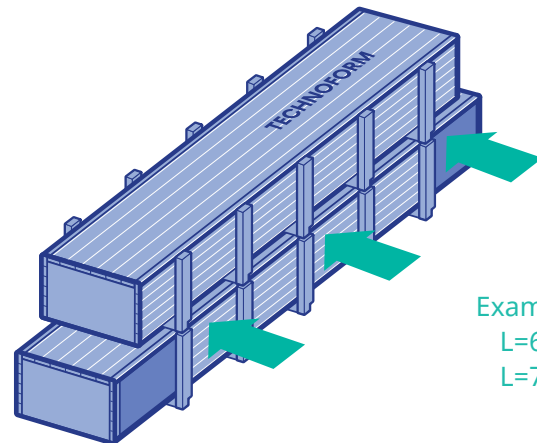
Crane handling

Appropriate lifting gear is to be used. Care should be taken that the angle of inclination of the lifting gear is $\leq 45^\circ$.



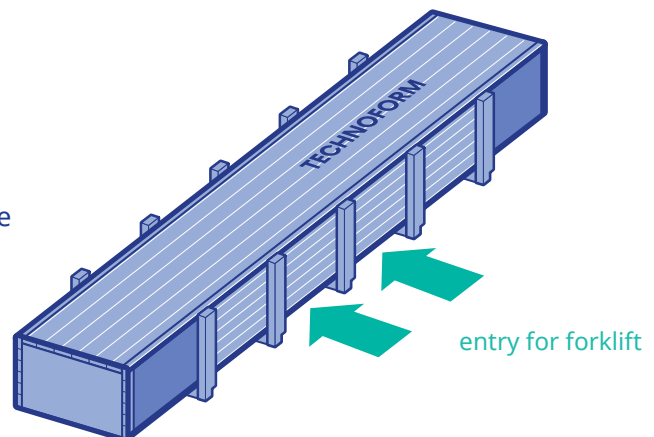
Stack handling

1. The stack of wooden crates is to be erected vertically. The bars (side plates) are to be stacked over each other centrally.



Example:
L=6300
L=7300

2. The wooden crates are to be gripped centrally with the truck forks left and right of the central bar.



3. Caution:

A maximum of three full Technoform wooden crates can be lifted and transported.

Technoform wooden crates must be lifted with the content of the max, permissible load of 1.5 tons. Prerequisite for this is sufficient carrying capacity of the appropriate industrial truck.

Other precautions to be taken when handling Technoform wooden crates

(Notes on special dangers)



- When stacking wooden crates with various loads they must be removed in a top-up direction.
- In the case of unevenly distributed load, attention is to be paid to the altered load centre of gravity when lifting.
- Defects observed in wooden crates which can endanger the safety of personnel have to be repaired properly and without delay. Defective or damaged transport equipment should be taken out of use or properly repaired or disposed of.



- Impact stress is to be avoided when setting the wooden crates down.*
- The crates are to be loaded in such a way that their contents cannot fall out or down.
- The crates must be stored in such way that they do not obstruct transport routes. When stacks are being erected the transport routes should be appropriately measured and kept free.



- When moving, lifting, setting down and stacking, attention is to be paid to conditions in the place of work and to people because of the length and bulkiness of wooden crates.



- Wooden crates must never be lifted, swung or transported above people.
- Stacking of wooden crates is vertical and to be erected form-fit under each other.
- The wooden crate is to be stored only on an even surface.
- Attention should be paid to the load bearing capacity of the floor, the storage area and stacking equipment.

Change compared to the previous version:

Document number has been changed from „D06TB-DE38“ to „D05TB-DE75.“

The document has been transferred from the AGUM system to the TTQS system.